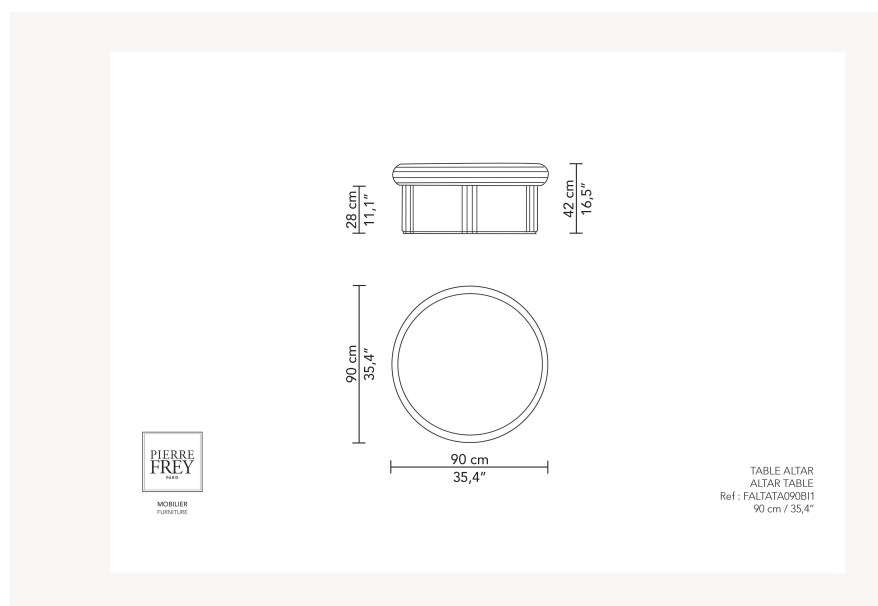


FALTATA090BI ALTAR

The ALTAR line, designed by Daniel Rous, draws inspiration from the monumental and monolithic furniture of ancient churches. Its generous proportions and commanding presence evoke altars, the central pieces around which communities once gathered for ritual and convivial moments. Light delicately interacts with the intricately sculpted facets, accentuating the remarkable craftsmanship of the cuts. Like a sculpture carved from a single block, ALTAR honors the unparalleled expertise of the

Maison Pierre Frey craftsmen. Crafted from solid wood, the pieces enhance their monolithic aesthetic, revealing the richness of ash or oak with an elegant finish that highlights the material's natural subtleties. Customizable inserts and tabletops in artistic lacquers (Glacée, Kozo, Empreinte), gouged oak, or wallpaper under glass introduce an added layer of refinement, enriching and elevating the design of each piece.

FALTATA090BI -



Pierre Frey

| | |
|--------------------|--|
| CATEGORY | Tables |
| DESIGNER | Daniel Rous |
| DIMENSIONS | L 13 x P 13 x H 6 inches |
| FRAME | Solid oak Construction : Traditional assembly |
| FINISHES | Frame Finishes : Stained oak, water-based varnish |
| INFORMATION | Customizable wallpaper under the glass top or wood/laquered top. |
| WEIGHT | - |

13 Colors



FALTATA

FALTATA090

FALTATA090B

2

FALTATA090BI

FALTATA090BI

1



FALTATA090BI

2

FALTATA090BI

3



FALTATA090BI

4

FALTATA090II

FALTATA090I2

FALTATA090I3

FALTATA090I4

FALTATA090I7