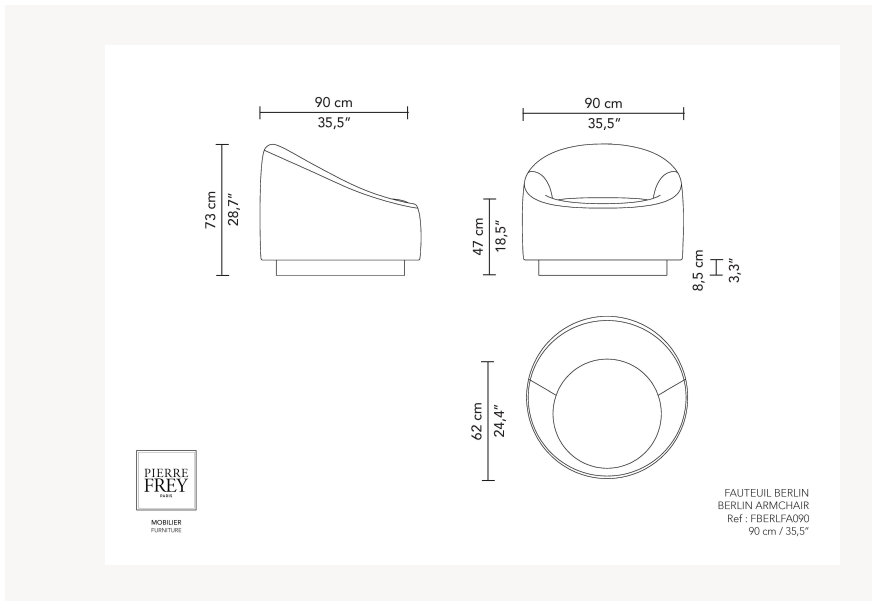


## FBERLFA090B1 BERLIN

Designed by Christian Haas, Berlin is based on an organic, rounded aesthetic vocabulary. The pure line of the backrest surrounds the seat in a continuous movement. The upholstered base gives a slight lift to the structure and creates a lightness to the pieces. Entirely upholstered, sofa, pouf and armchair are a tribute to the know-how of Maison Pierre Frey.

### FBERLFA090B1 -



### Pierre Frey

<b>CATEGORY</b>	Armchairs
<b>DESIGNER</b>	Christian Haas
<b>DIMENSIONS</b>	L 35 x P 35 x H 28 inches
<b>FRAME</b>	Solid beech Construction : Traditional assembly
<b>COMFORT</b>	Suspension : Elastic webbing Structure : CMHR4348 Foam - wrapped in poylester wadding Seat : CMHD55 foam - CMHR4338 foam - CMHR2818 foam Back : CMHR2818 foam
<b>FINISHES</b>	Upholstery Finishes : Simple seams - Stretched fabric
<b>INFORMATION</b>	Swivel base Refer to suitable list of fabrics
<b>WEIGHT</b>	97,04 Lbs
<b>FABRIC QTY</b>	4,34 yds
<b>AVAILABLE OPTIONS</b>	Beech base Metal base Upholstered base Oak base

# 11 Colors



FBERLFA

FBERLFA080

FBERLFA080B

FBERLFA080B

FBERLFA080B

FBERLFA080



FBERLFA090

FBERLFA090B

FBERLFA090B

1

2

M1

1

FBERLFA090B

FBERLFA090

2

M1