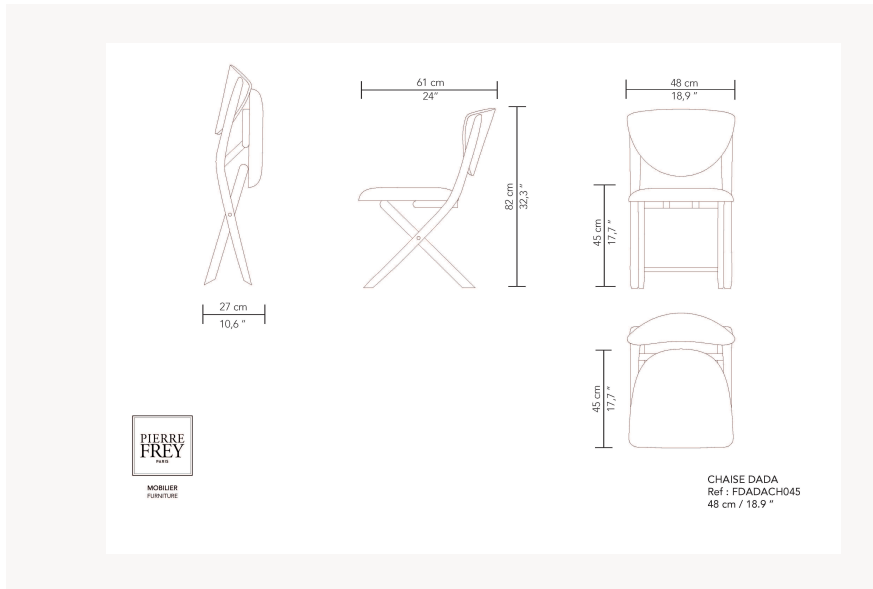


## FDADACH045 DADA

The DADA folding chair, designed by Constance Guisset for Maison Pierre Frey, masterfully blends comfort and elegance within a boldly functional design. Adaptable to the moment's needs, DADA redefines the occasional chair with a stylish flair. Every detail has been meticulously crafted to deliver seating comfort that aligns with the exacting standards shared by the Maison and the designer. The chair's distinctive design features gracefully curved solid wood legs that seamlessly extend into the backrest, creating a sense of visual harmony and striking a perfect balance between aesthetics and ergonomics. Both beautiful and practical, this folding chair invites effortless moments of spontaneity and conviviality, making it a delightful addition to any setting. The name, DADA, suggests playful symmetry, infusing a whimsical touch into this lightweight yet meticulously designed piece. Available in three satin-finished beechwood tones (ebony, hazelnut, and natural), DADA also offers customizable finishes for bespoke projects.

### FDADACH045 -



### Pierre Frey

<b>CATEGORY</b>	Chairs
<b>DESIGNER</b>	Constance Guisset
<b>DIMENSIONS</b>	L 17 x P 22 x H 32 inches
<b>FRAME</b>	Wooden panel Construction : Traditional assembly
<b>COMFORT</b>	Suspension : Solid seat
<b>LEG FINISHES</b>	Visible wood
<b>SPECIFICITIES</b>	Foldable
<b>INFORMATION</b>	Refer to the exhaustive list of compatible fabrics
<b>WEIGHT</b>	17,64 Lbs
<b>FABRIC QTY</b>	1,63 yds

# 7 Colors



FDADACH

FDADACH045

FDADACH045  
AS

FDADACH045  
DO

FDADACH045  
T00

FDADACH045  
T10

FDADACH045  
T11