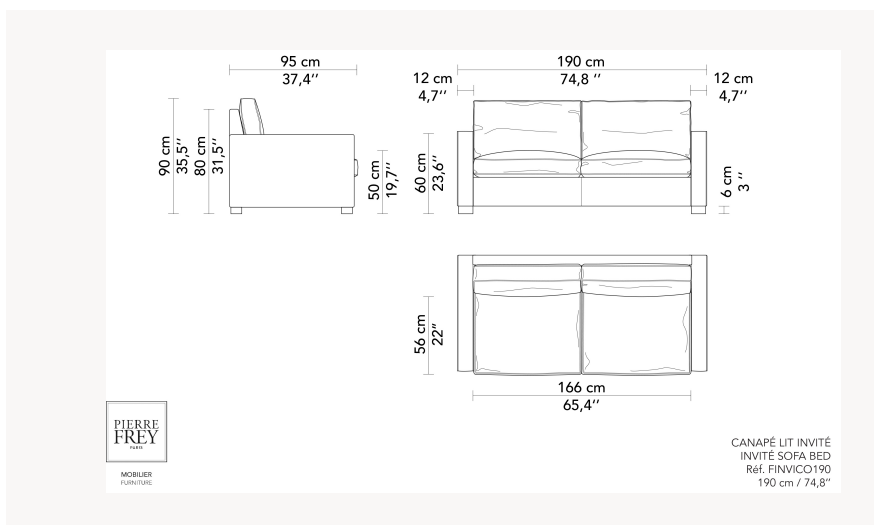


FINVICO190 INVITE

FINVICO190 -



Pierre Frey

CATEGORY	Sofas bed
DESIGNER	Yves Halard
DIMENSIONS	L 74 x P 37 x H 35 inches
FRAME	Wood Construction : Traditional assembly Mechanism : High strength tubular steel - effortless opening and closing in one motion
COMFORT	Suspension : Elastic webbing - Slatted bed base (poplar) Structure : Polyurethane foam 40 kg/m ³ - wrapped in poylester wadding - Polyurethane foam 30 kg/m ³ Seat : Feathers - Polyurethane foam 35 kg/m ³ Back : Feathers - Polyurethane foam 22 kg/m ³
FINISHES	Frame Finishes : Stained beech, water-based varnish Upholstery Finishes : Piping - Simple seams - Stretched fabric
LEG FINISHES	Visible wood
WEIGHT	324,22 Lbs
FABRIC QTY	14,13 yds

5 Colors



FINVICO



FINVICO180A

FINVICO190

FINVICO210

FINVICO230