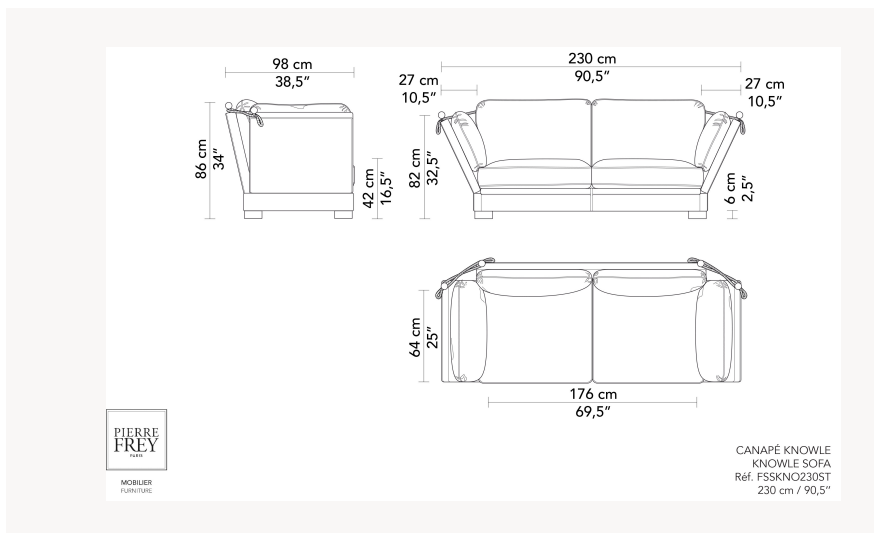


## FKNOWCA230 KNOWLE

FKNOWCA230 -



### Pierre Frey

<b>CATEGORY</b>	Sofas
<b>DESIGNER</b>	Schwartz
<b>DIMENSIONS</b>	L 90 x P 38 x H 33 inches
<b>FRAME</b>	Solid beech - Solid poplar Construction : Traditional assembly with mortise and tenon joints
<b>COMFORT</b>	Suspension : Springs Seat : wrapped in poylester wadding - HR foam 30 kg/m3 - Feathers Cushion(s) : Goose feathers and down
<b>FINISHES</b>	Frame Finishes : Stained beech, water-based varnish Upholstery Finishes : Piping - Simple seams - Stretched fabric
<b>LEG FINISHES</b>	Visible wood
<b>INFORMATION</b>	Cushions with removable covers and reversible
<b>WEIGHT</b>	242,61 Lbs
<b>FABRIC QTY</b>	20,10 yds

## 4 Colors



FKNOWCA

FKNOWCA200

FKNOWCA230

FKNOWCA275