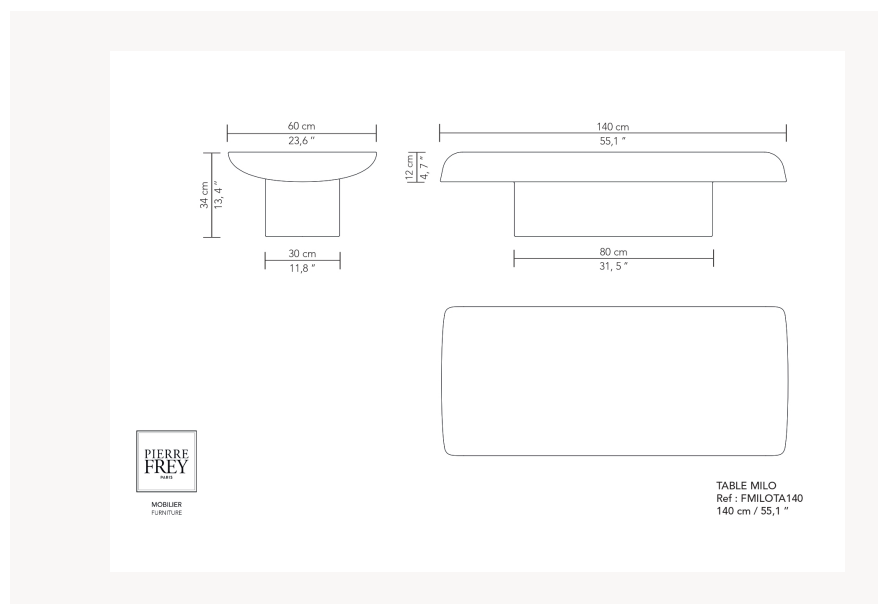


FMILOTA140B MILO

The MILO line, designed by Guillaume Delvigne, consists of coffee tables and a pedestal table, available in oak and lacquer. The tabletops of these pieces appear to float above their central base, creating a sense of perfect balance while enhancing the objects they display. With generous thickness, they feature subtly curved ends that gracefully glide towards the floor, reminiscent of water flow. This gentle and fluid curvature gives the line an organic and architectural look, adding both a feeling of delicate movement and distinctive visual character through the interplay of light on the material. Crafted with respect for traditional woodworking and lacquering craftsmanship, this line highlights the beauty, the richness of the materials and seamlessly complements any decor.

FMILOTA140B -



Pierre Frey

CATEGORY	Tables
DESIGNER	Guillaume Delvigne
DIMENSIONS	L 55 x P 23 x H 13 inches
FRAME	Wooden panel - Wood Construction : Traditional assembly
FINISHES	Frame Finishes : Oiled bleached oak - Stained oak, water-based varnish - Brushed oak, stained with water- based varnish - Varnish oak - Lacquered MDF panels
LEG FINISHES	Visible wood
WEIGHT	136,74 Lbs

13 Colors



FMILOTA

FMILOTA120B

FMILOTA120L

FMILOTA120LB

FMILOTA140B

FMILOTA140L

FMILOTA140L

FMILOTA160B

FMILOTA160L

B

FMILOTA160LB

FMILOTA180B

FMILOTA180L

FMILOTA180L

B